



Meridian Parks and Recreation Department

Specifications

Streetlight

Note: See Public Works Design Standards by the Engineering Division.

Website: <https://meridiancity.org/community-development/land/standards-specifications-and-drawings/>

Bollard

Manufacturer: Holophane (Acuity Brands)

Product: #CPBOL CI BK or CPBOL CA BK, Chesapeake Series model

Note: CI is cast iron and CA is cast aluminum. Verify material with Parks and Recreation Department.

Tree Grate

Manufacturer: Canterbury Designs

Product: #TGFR-6-SQ, French Tree Grate – 6' Square, Natural Raw

Note: See also Canterbury 6' Square angle steel frame for mounting.

Bench

Manufacturer: Recycle Design

Product: #VIC.SE.072.SM - (9876), Victoria Series 72" seat with back and arms. Black powder coat frame with Weathered DuraWood Slats.

Trash Receptacle

Manufacturer: Recycle Design

Product: #VIC.WR.032.DOM.SM, Victoria Series 32 gallon. Black powder coat frame with Weathered DuraWood Slats.

Planter

Supplier: Summit Supply

Product: #TF4124, 48" Round Concrete Planter W21 Weatherstone – Buff

Note: Original product was Barkman Concrete Products, Newport Round #105418. Out of production.

Bike Rack

Supplier: ULINE Site Furnishings

Product: H-2892 1-Loop (single loops with parallel install preferred for two points of contact per bike), H-2543 3-Loop, in groundmount. Color shall be black.

Alternate Product: Kay Park #543-1001 or 543-1002.

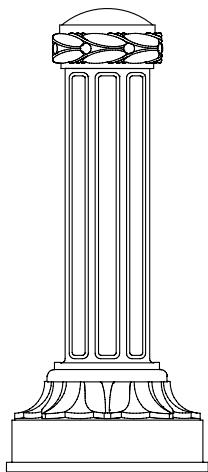
Product or Installation Questions

Contact City of Meridian Parks and Recreation Department at 33 E. Broadway Ave., Suite 206, Meridian, Idaho 83642, Phone: 208-409-1601

Catalog Number	
Notes	Type

CPBOL CA

Chesapeake Cast Aluminum Bollard



SPECIFICATIONS

General Description

The bollard shall be cast aluminum construction with a classic decorative base and body.

Materials

- The bollard and top shall be heavy wall, cast aluminum produced from certified ASTM 356.1 ingot per ASTM B175 or ASTM B26.
- The castings shall be formed true to the pattern with complete detail.
- All exposed hardware shall be tamper resistant stainless steel.
- Anchor bolts to be completely hot dip galvanized.
- Utilize a polyester powder coat paint to ensure maximum durability
- Rigorous multi-stage pre-treating and painting process yields a finish that achieves a scribe creepage rating of 8 (per ASTM D1654) after over 5,000 hours exposure to salt fog chamber (operated per ASTM B117) on standard and RAL finish options.
- RAL (RALxxxxSDCR) paint colors are Super Durable Corrosion Resistant, 80% gloss.

Construction

- The non-lighted bollard shall be made from a one-piece casting with the cast dome top welded to the top.
- All exposed welds shall be ground smooth. All welding shall be per ANSI/AWS D1 .2-90. All welders shall be certified per Section 5 of ANSI/AWS D1 .2-90.

Dimensions

- The non-lighted bollard shall be 3'-6.5" in height with an 18.5" diameter base, a 7.75" diameter shaft, and a 5.5" tall dome top.

Installation

- The bollard shall be provided with four 3/4" diameter, hot dip galvanized L-type anchor bolts to be installed on a 13" bolt circle.
- Two doors shall be provided in the base for anchor access.

Warranty

1 Year Limited. This is the only warranty provided and no other statements in this specification sheet create any warranty of any kind. All other express and implied warranties are disclaimed. Complete warranty terms located at: www.acuitybrands.com/support/warranty/terms-and-conditions

Note: Actual performance may differ as a result of end-user environment and application. Specifications subject to change without notice.

Important Installation Notes:

- Factory-supplied templates must be used when setting anchor bolts. Acuity Brands Lighting will not accept claim for incorrect anchorage placement due to failure to use factory template.
- Acuity Brands Lighting is not responsible for the foundation design.

ORDERING INFORMATION

Example: CPBOL CA DTN BK

Series	Material	Top Style	Finish	Options
CPBOL Chesapeake Bollard, 18" Dia. Base	CA Cast aluminum	DTN Dome top for non-lighted bollard	BK Black BZ Bronze CMC Customer matching color CTBS Standard color to be selected DB Dark Blue GN Green GH Graphite GR Gray PP Prime Painted RALxxxxSDCR RAL Super Durable Corrosion Resistant, 80% Gloss Paint, replace xxxx with RAL number. SL Silver WH White	EB35X ¹ Eyebolt (for chain by others) DBB Factory Attached Direct Burial Base FGB Receptacle in base with wet location cover. NOTES 1. 3 35 = Eyebolt height in inches from grade level Y = Orientation by code (A, B, C or D) A = 0 degrees (Handhole at 0 degrees) B = 90 degrees counterclockwise C = 180 degrees counterclockwise D = 270 degrees counterclockwise

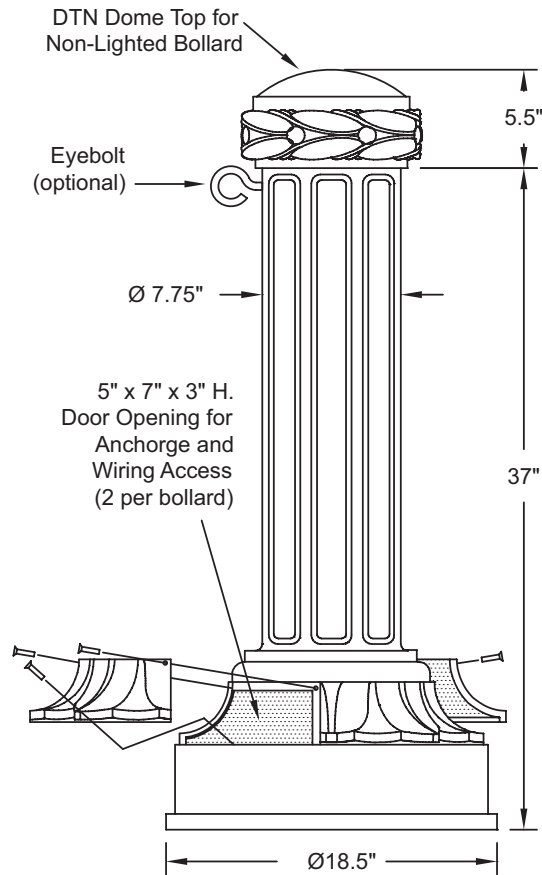
Accessories: Order as separate catalog number.

ADBB2 R5	Direct burial base.
AB-31-4	Anchor bolts
TMP-87	Template

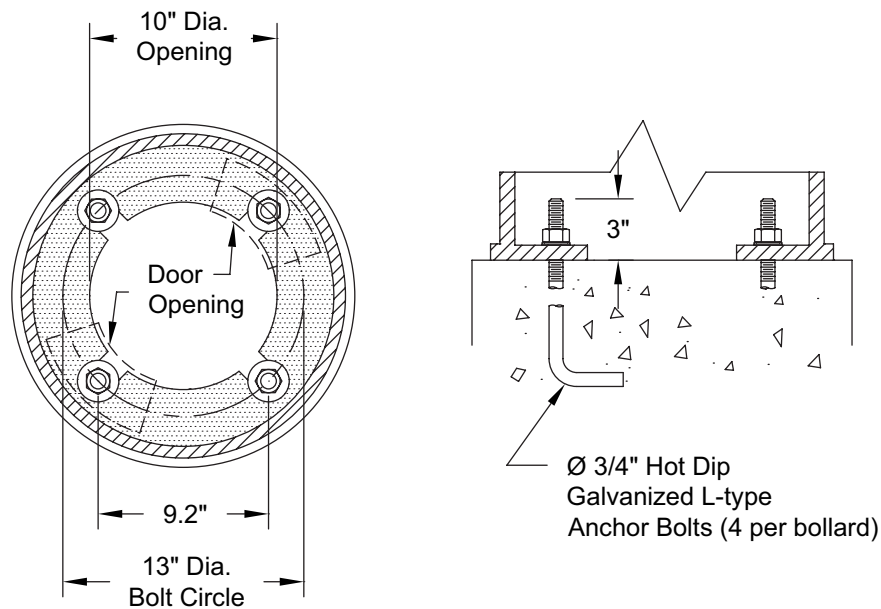
CPBOL CA

Chesapeake Cast Aluminum Bollard

DIMENSIONAL DATA



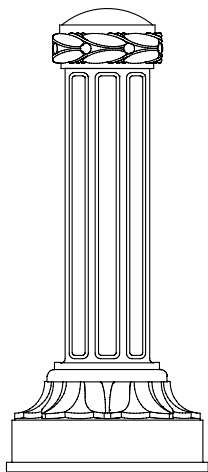
ANCHORAGE GUIDE



Catalog Number	
Notes	Type

CPBOL CA

Chesapeake Cast Aluminum Bollard



SPECIFICATIONS

General Description

The bollard shall be cast aluminum construction with a classic decorative base and body.

Materials

- The bollard and top shall be heavy wall, cast aluminum produced from certified ASTM 356.1 ingot per ASTM B175 or ASTM B26.
- The castings shall be formed true to the pattern with complete detail.
- All exposed hardware shall be tamper resistant stainless steel.
- Anchor bolts to be completely hot dip galvanized.
- Utilize a polyester powder coat paint to ensure maximum durability
- Rigorous multi-stage pre-treating and painting process yields a finish that achieves a scribe creepage rating of 8 (per ASTM D1654) after over 5,000 hours exposure to salt fog chamber (operated per ASTM B117) on standard and RAL finish options.
- RAL (RALxxxxSDCR) paint colors are Super Durable Corrosion Resistant, 80% gloss.

Construction

- The non-lighted bollard shall be made from a one-piece casting with the cast dome top welded to the top.
- All exposed welds shall be ground smooth. All welding shall be per ANSI/AWS D1 .2-90. All welders shall be certified per Section 5 of ANSI/AWS D1 .2-90.

Dimensions

- The non-lighted bollard shall be 3'-6.5" in height with an 18.5" diameter base, a 7.75" diameter shaft, and a 5.5" tall dome top.

Installation

- The bollard shall be provided with four 3/4" diameter, hot dip galvanized L-type anchor bolts to be installed on a 13" bolt circle.
- Two doors shall be provided in the base for anchor access.

Warranty

1 Year Limited. This is the only warranty provided and no other statements in this specification sheet create any warranty of any kind. All other express and implied warranties are disclaimed. Complete warranty terms located at: www.acuitybrands.com/support/warranty/terms-and-conditions

Note: Actual performance may differ as a result of end-user environment and application. Specifications subject to change without notice.

Important Installation Notes:

- Factory-supplied templates must be used when setting anchor bolts. Acuity Brands Lighting will not accept claim for incorrect anchorage placement due to failure to use factory template.
- Acuity Brands Lighting is not responsible for the foundation design.

ORDERING INFORMATION

Example: CPBOL CA DTN BK

Series	Material	Top Style	Finish	Options
CPBOL Chesapeake Bollard, 18" Dia. Base	CA Cast aluminum	DTN Dome top for non-lighted bollard	BK Black BZ Bronze CMC Customer matching color CTBS Standard color to be selected DB Dark Blue GN Green GH Graphite GR Gray PP Prime Painted RALxxxxSDCR RAL Super Durable Corrosion Resistant, 80% Gloss Paint, replace xxxx with RAL number. SL Silver WH White	EB35X ¹ Eyebolt (for chain by others) DBB Factory Attached Direct Burial Base FGB Receptacle in base with wet location cover. NOTES 1. 3 35 = Eyebolt height in inches from grade level Y = Orientation by code (A, B, C or D) A = 0 degrees (Handhole at 0 degrees) B = 90 degrees counterclockwise C = 180 degrees counterclockwise D = 270 degrees counterclockwise

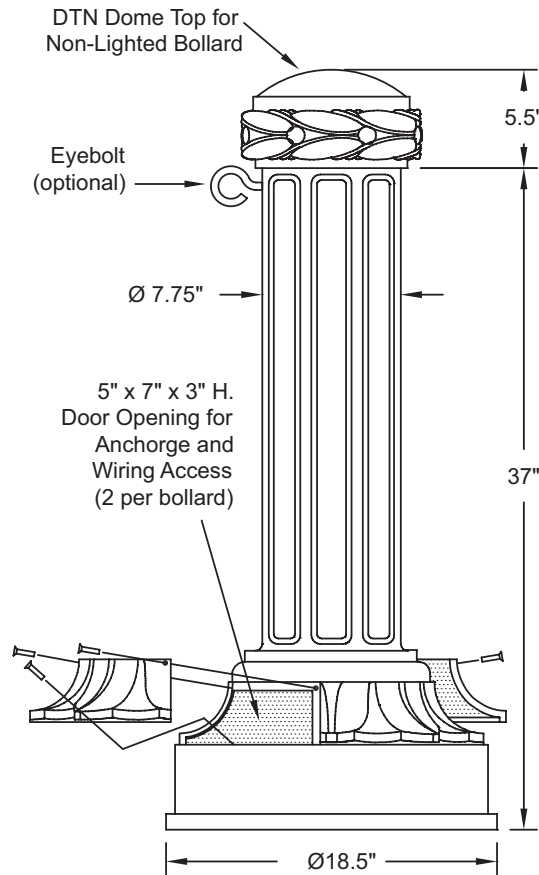
Accessories: Order as separate catalog number.

ADBB2 R5	Direct burial base.
AB-31-4	Anchor bolts
TMP-87	Template

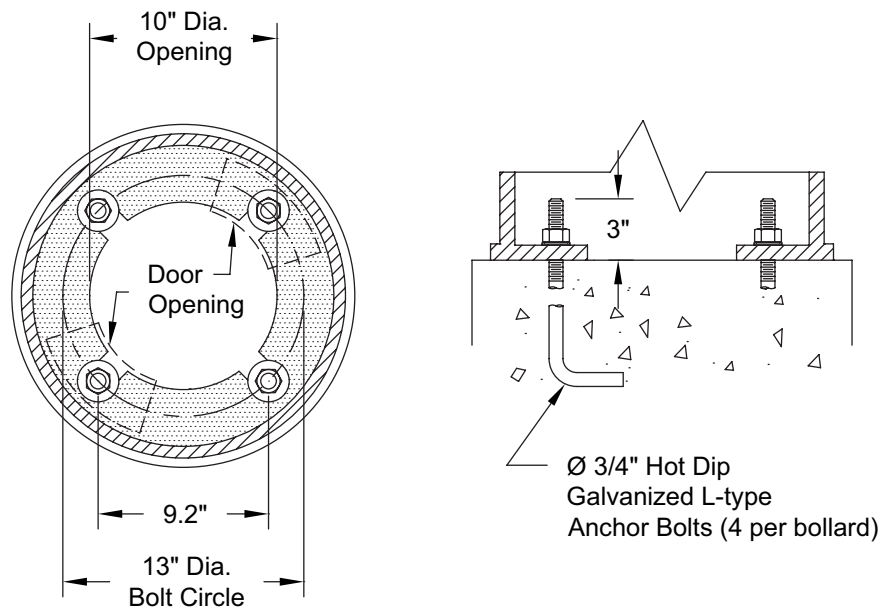
CPBOL CA

Chesapeake Cast Aluminum Bollard

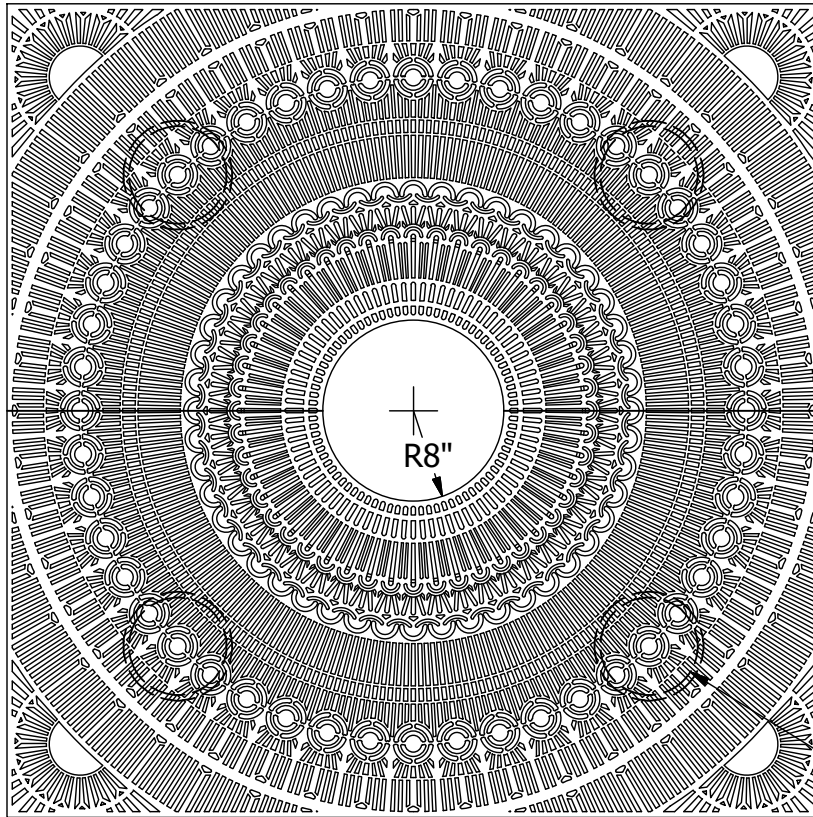
DIMENSIONAL DATA



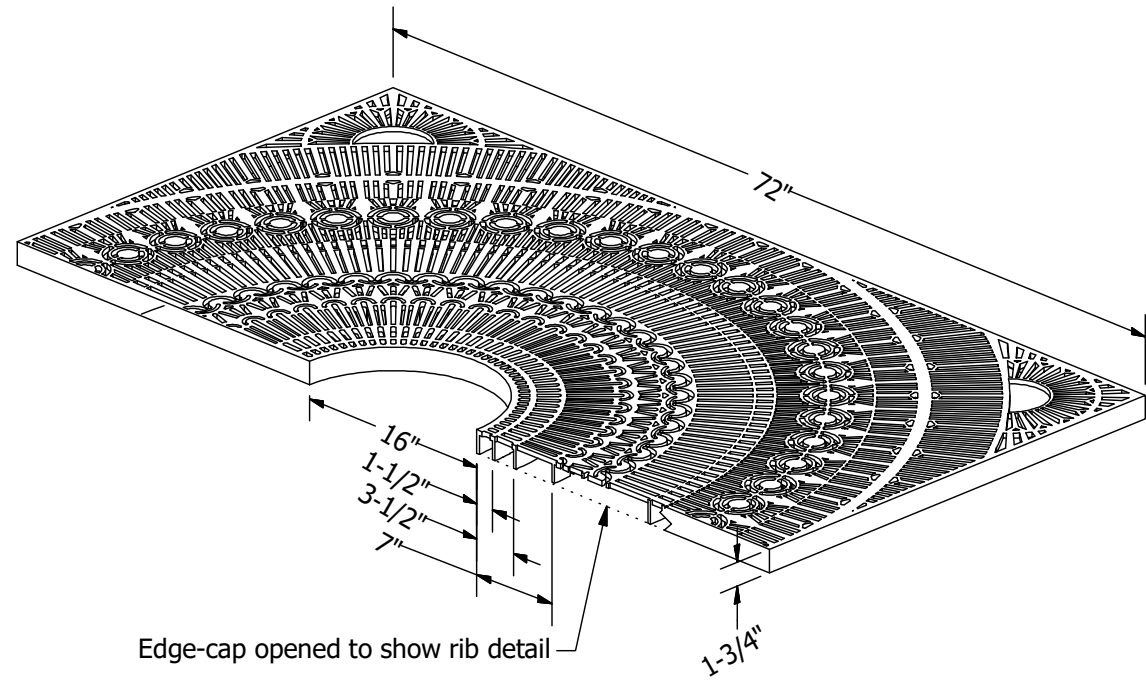
ANCHORAGE GUIDE



French Tree Grate - 6' Square
TGFR-6-SQ



Plan View



Sectional View

Ø8-5/8"
 Optional Port
 Opening

Material Options:
 > 100% recycled cast gray iron
 > Cast aluminum

Finish Options:
 > Natural raw (standard for cast iron)
 > Polyester powder coat (specify color)

- > Breakout rings to expand opening at 19", 23", 30"
- > Slot opening: 3/8" in compliance with ADA guidelines
- > Fits Canterbury 6' sq. angle steel frame
- > Optional lightports as shown
- > All dimensions nominal

CANTERBURY  **DESIGNS**

5632 W. Washington Blvd. | Los Angeles, CA 90016 | 323.936.7111
 Website: www.canterbury-designs.com | E-mail: info@canterbury-designs.com

This drawing is the confidential property of Canterbury Designs, and the recipient agrees not to copy or disclose this drawing to any unauthorized person, or to use the drawing for any purpose other than that for which it is specifically furnished, without Canterbury's written permission.

Paver Specifications

PART 1 - GENERAL
1.1 RELATED DOCUMENTS
 A. Drawings and general provisions of the Contract, including General and Supplementary Conditions and Division 1 Specification Sections, apply to this Section.
 B. Interlocking Concrete Pavement Institute (ICPI) Tech Spec Technical Bulletins.
1.2 SUMMARY
 A. This Section includes the following:
 1. CONCRETE Pavers set in aggregate setting bed.
 B. Related Sections include the following:
1.3 SUBMITTALS (4 Copies)
 A. Product Data: For the following:
 1. CONCRETE Pavers.
 2. C33 Sand: Sieve Analysis Report.
 3. GEO-Textile Fabric
 4. Root barrier
 5. Concrete
 B. Samples for Verification: Full-size units of each type of unit paver indicated; in sets for each color, texture, and pattern specified, showing the full range of variations expected in these characteristics.
 C. Qualification Data: For firms and persons specified in "Quality Assurance" Article to demonstrate their capabilities and experience. Include lists of completed projects with project names and addresses, names and addresses of architects and owners, and other information specified.
 D. Paver Installer:
 1. A copy of Subcontractor's current certificate from the Interlocking Concrete Pavement Institute Concrete Paver Installer Certification program.
 2. Job references (3) from projects of a similar size and complexity. Provide Owner/Client/General Contractor names, postal address, phone, fax and email address.
1.4 EXTRA MATERIALS
 A. Provide 20% of each paver.
1.5 QUALITY ASSURANCE
 A. Paving Installer Qualifications:
 1. Utilize an installer having successfully completed Concrete paver installation similar in design, material and extent indicated on this project.
 2. Utilize an installer holding a current certificate from the Interlocking Concrete Pavement Institute Concrete Paver Installer Certification program.
 B. Regulatory Requirements and Approvals: (Specify applicable licensing, bonding or other requirements of regulatory agencies).
 C. Mock-ups:
 1. Install a 0 ft x 0 ft x 0 ft paver area.
 2. Use this area to determine surface of the bedding sand layer, joint sizes, lines, laying pattern(s), color(s) and texture of the job.
 3. This area will be used as the standard by which the work will be judged.
 4. Subject to acceptance by owner, mock-up may be retained as part of finished work.
 5. If mock-up is not retained, remove and properly dispose of mock-up.
 D. Source Limitations: Obtain each type of unit paver, joint material, and setting material from one source with resources to provide materials and products of consistent quality in appearance and physical properties.
1.6 DELIVERY, STORAGE, AND HANDLING.
 A. Comply with manufacturer's ordering instructions and lead-time requirements to avoid construction delays.
 B. Delivery: Deliver materials in manufacturer's original, unopened, undamaged containers packaging with identification labels intact.

1. Coordinate delivery and paving schedule to minimize interference with normal use of buildings adjacent to paving.
 2. Deliver Concrete pavers to the site in steel banded, plastic banded or plastic wrapped packaging capable of transfer by forklift or clamp lift.
 3. Unload pavers at job site in such a manner that no damage occurs to the product.
 C. Storage and Protection: Store materials protected such that they are kept free from mud, dirt, and other foreign materials. (Store Concrete paver cleaners and sealers per manufacturer's instructions.)
 1. Cover bedding sand and joint sand with waterproof covering if needed to prevent exposure to rainfall or removal by wind. Secure the covering in place.
1.7 PROJECT/SITE CONDITIONS
 A. Environmental Requirements:
 1. Do not install sand or pavers during heavy rain or snowfall.
 2. Do not install sand and pavers over frozen base materials.
 3. Do not install frozen sand or saturated sand.
 4. Do not install CONCRETE Pavers on frozen or saturated sand.
1.8 MAINTENANCE
 A. Extra Materials: Provide (Specify area) (Specify percentage) additional material for use by owner for maintenance and repair.
 B. Pavers shall be from the same production run as installed materials.

PART 2 - PRODUCTS
2.1 MANUFACTURERS
 A. Manufacturers: Subject to compliance with requirements, provide products by manufacturer listed on the plans.
2.2 UNIT PAVERS
 1. 60mm Mission Mendocino as manufactured by Basalite or approved equal.
2.3 BEDDING AND JOINT SAND
 A. Provide bedding and joint sand as follows:
 1. Washed, clean, non-plastic, free from deleterious or foreign matter, symmetrically shaped, natural or manufactured from crushed rock.
 2. Do not use limestone screenings, stone dust, or sand for the bedding sand material that does not conform to the grading requirements of ASTM C 33.
 3. Do not use mason sand or sand conforming to ASTM C 144 for the bedding sand.
 4. Bedding Sand Material Requirements: Conform to the grading requirements of ASTM C 33 with modifications as shown in Table 1.

Table 1 - Grading Requirements for Bedding Sand
 ASTM C 33

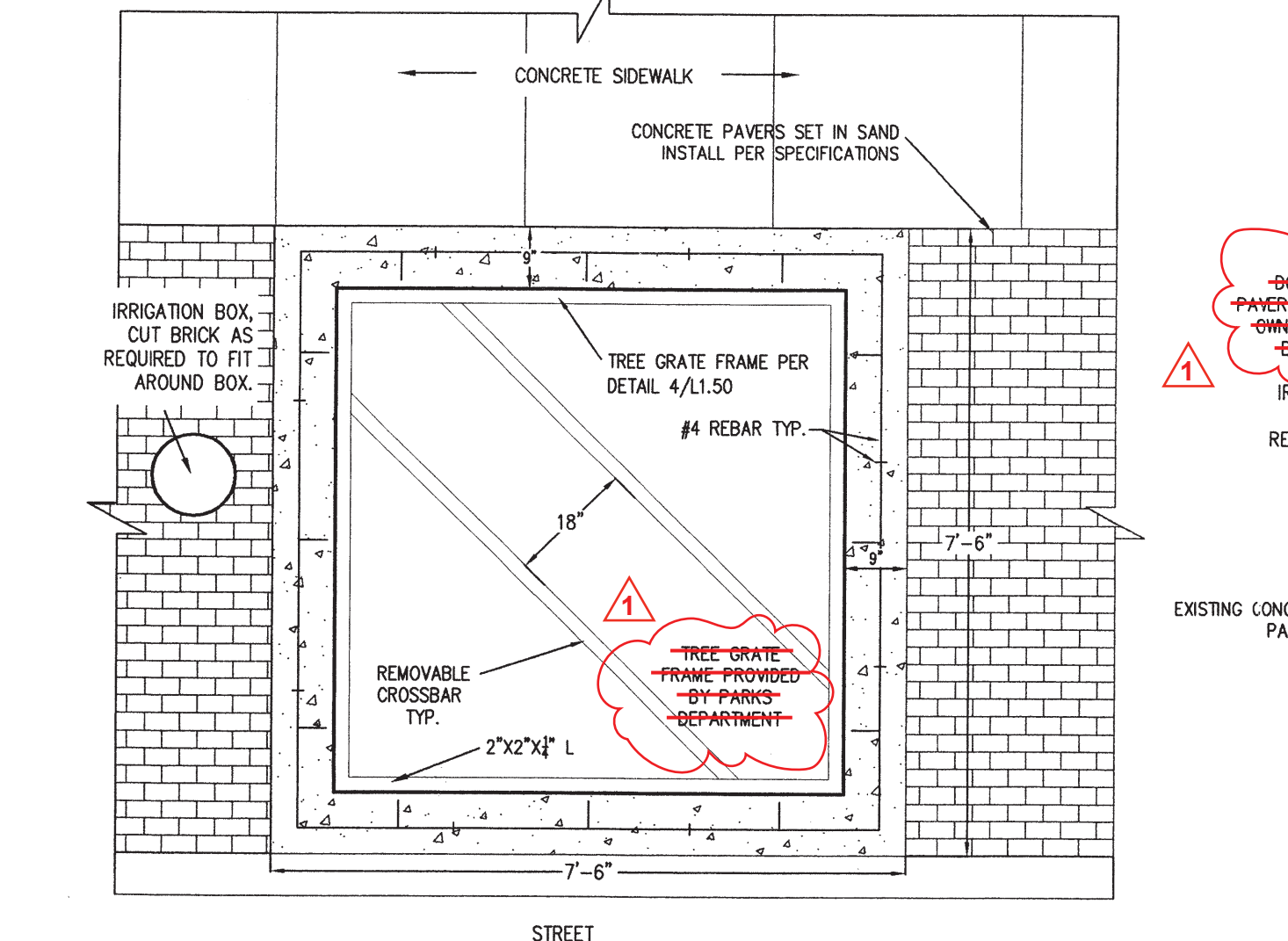
Sieve Size	Percent Passing
3/8 in. (9.5 mm)	100
No. 4 (4.75 mm)	95 to 100
No. 8 (2.36 mm)	5 to 100
No. 16 (1.18 mm)	50 to 85
No. 30 (0.600 mm)	25 to 60
No. 50 (0.300 mm)	10 to 30
No. 100 (0.150 mm)	2 to 10
No. 200 (0.075 mm)	0 to 1

5. Joint Sand Material Requirements
 a. Polymerized Techni-Seal RG Jointing Sand for Pavement Joints. As manufactured by Techni-Seal, as available through Basalite, contact Jeff Sheppan, 208-888-1050.

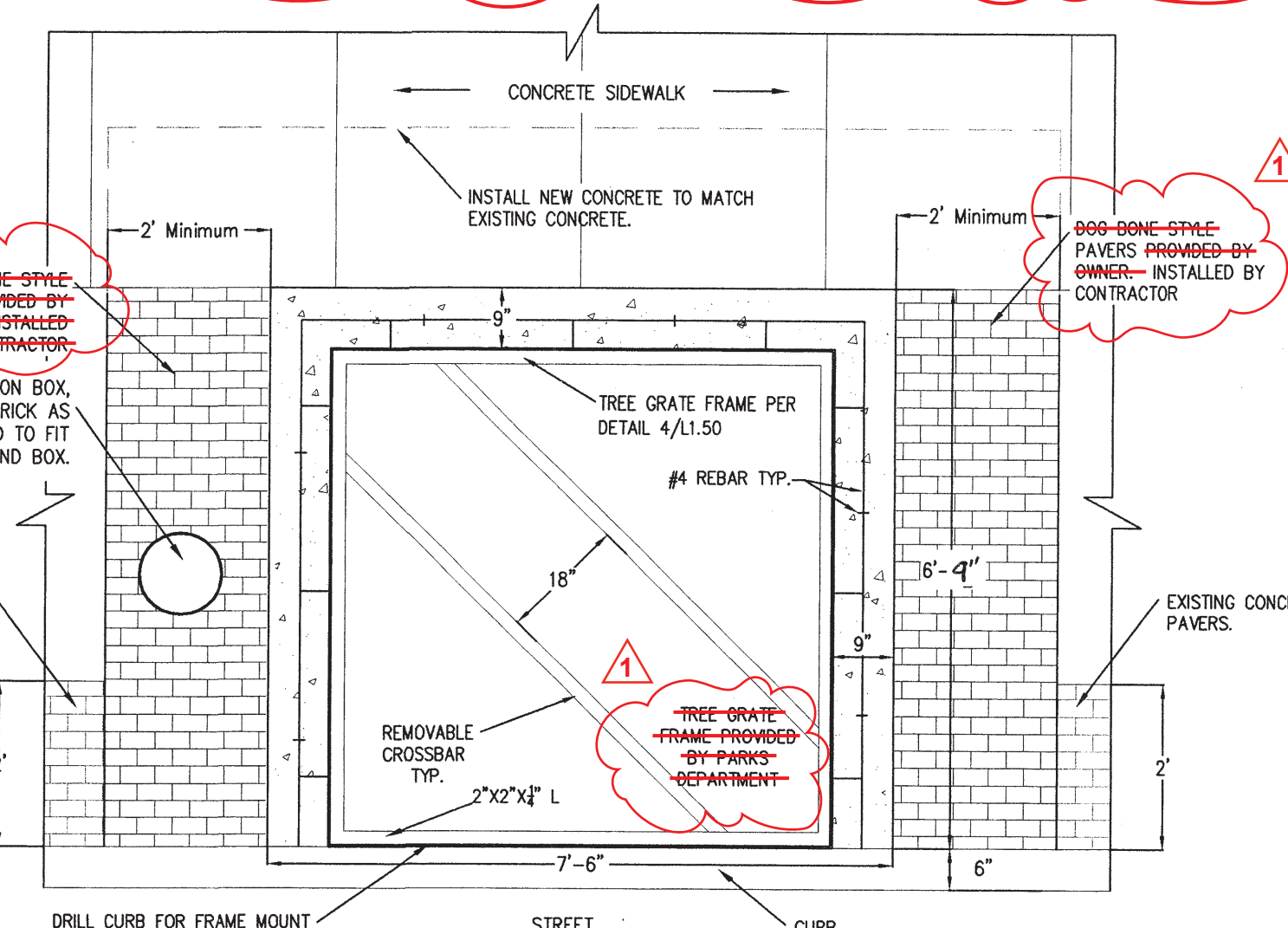
2.4 CONCRETE
 A. Concrete shall conform to the current version of the ACHD supplemental specifications to the ISPCW.
 B. Minimum compressive strength: 3,000 PSI at 28 days.
PART 3 - EXECUTION
3.1 EXAMINATION
 A. Examine areas indicated to receive paving, with installer present, for compliance with requirements for installation tolerances and other conditions affecting performance. Proceed with installation only after unsatisfactory conditions have been corrected.
3.2 PREPARATION
 A. Verify base is dry, certified by General Contractor as meeting material, installation and grade specifications
 B. Verify that base (and geotextile) is ready to support sand, (edge restraints) and, pavers and imposed loads
 C. Edge Restraint Preparation:
 1. Install edge restraints per the drawings (and manufacturer's recommendations) (at the indicated elevations)
 2. Mount directly to finished base. Do not install on bedding sand.
 3. The minimum distance from the outside edge of the base to the spikes shall be equal to the thickness of the base.
3.3 INSTALLATION, GENERAL
 A. Do not use unit pavers with chips, cracks, voids, discolorations, and other defects that might be visible.
 B. Cut unit pavers with motor-driven masonry saw equipment to provide clean, sharp, unchipped edges. Cut units to provide pattern indicated and to fit adjoining work neatly. Use full units without cutting where possible. Hammer cutting is not acceptable.
 C. Joint pattern: As indicated.
 D. Tolerances: Do not exceed 1/32-inch unit-to-unit offset from flush (lippage) nor 1/8 inch in 10 feet from level, or indicated slope, for finished surface of paving.
3.4 INSTALLATION
 A. Spread bedding sand evenly over the base course and screed to a nominal 1 in. (25 mm) thickness, not exceeding 1-1/2 in. (40 mm) thickness. Spread bedding sand evenly over the base course and screed rails, using the rails and/or edge restraints to produce a nominal 1 in. (25 mm) thickness, allowing for specified variation in the base surface.
 1. Do not disturb screeded sand.
 2. Screeded area shall not substantially exceed that which is covered by pavers in one day.
 3. Do not use bedding sand to fill depressions in the base surface.
 B. Lay pavers in pattern(s) shown on drawings. Place units hand tight without using hammers. Make horizontal adjustments to placement of laid pavers with rubber hammers and pry bars as required.
 C. Provide joints between pavers between 1/16 in. and 3/16 in. (2 and 5 mm) wide. No more than 5% of the joints shall exceed 1/4 in. (6mm) wide to achieve straight bond lines.
 D. Joint (bond) lines shall not deviate more than ± 1/2 in. (±15 mm) over 50 ft. (15 m) from string lines.
 E. Fill gaps at the edges of the paved area with cut pavers or edge units.
 F. Cut pavers to be placed along the edge with a (double blade paver splitter or) masonry saw.
 G. (Adjust bond pattern of pavement edges such that cutting of edge pavers is minimized. All cut pavers exposed to vehicular tires shall be no smaller than one-third of a whole paver.) (Cut pavers at edges as indicated on the drawings.)
 H. Keep skid steer and forklift equipment off newly laid pavers that have not received initial compaction and joint sand.
 I. Use a low-amplitude plate compactor capable of at least minimum of 4,000 lbf (18 kN) at a frequency

of 75 to 100 Hz to vibrate the pavers into the sand. Remove any cracked or damaged pavers and replace with new units.
 J. Install Polymeric Sand per manufacturer's specifications.
 K. All work within 6 ft (2m) of the laying face must shall be left fully compacted with sand-filled joints at the end of each day or compacted upon acceptance of the work. Cover the laying face or any incomplete areas with plastic sheets overnight if not closed with cut and compacted pavers with joint sand to prevent exposed bedding sand from becoming saturated from rainfall.
 L. Remove excess sand from surface when installation is complete.
 M. Surface shall be broom clean after removal of excess joint sand.
3.5 FIELD QUALITY CONTROL
 A. The final surface tolerance from grade elevations shall not deviate more than ±3/8 in. (±10 mm) under a 10 ft (3m) straightedge.
 B. Check final surface elevations for conformance to drawings
 C. The surface elevation of pavers shall be 1/8 in. to 3/4 in. (3 to 6 mm) above adjacent drainage inlets, concrete collars or channels
 D. Lippage: No greater than 1/8 in. (3 mm) difference in height between adjacent pavers
3.6 CLEANING, SEALING, JOINT SAND STABILIZATION
 E. Clean, seal, apply joint sand stabilization materials between CONCRETE Pavers in accordance with the manufacturer's written recommendations.
3.7 PROTECTION
 A. After work in this section is complete, the General Contractor shall be responsible for protecting work from damage due to subsequent construction activity on the site.

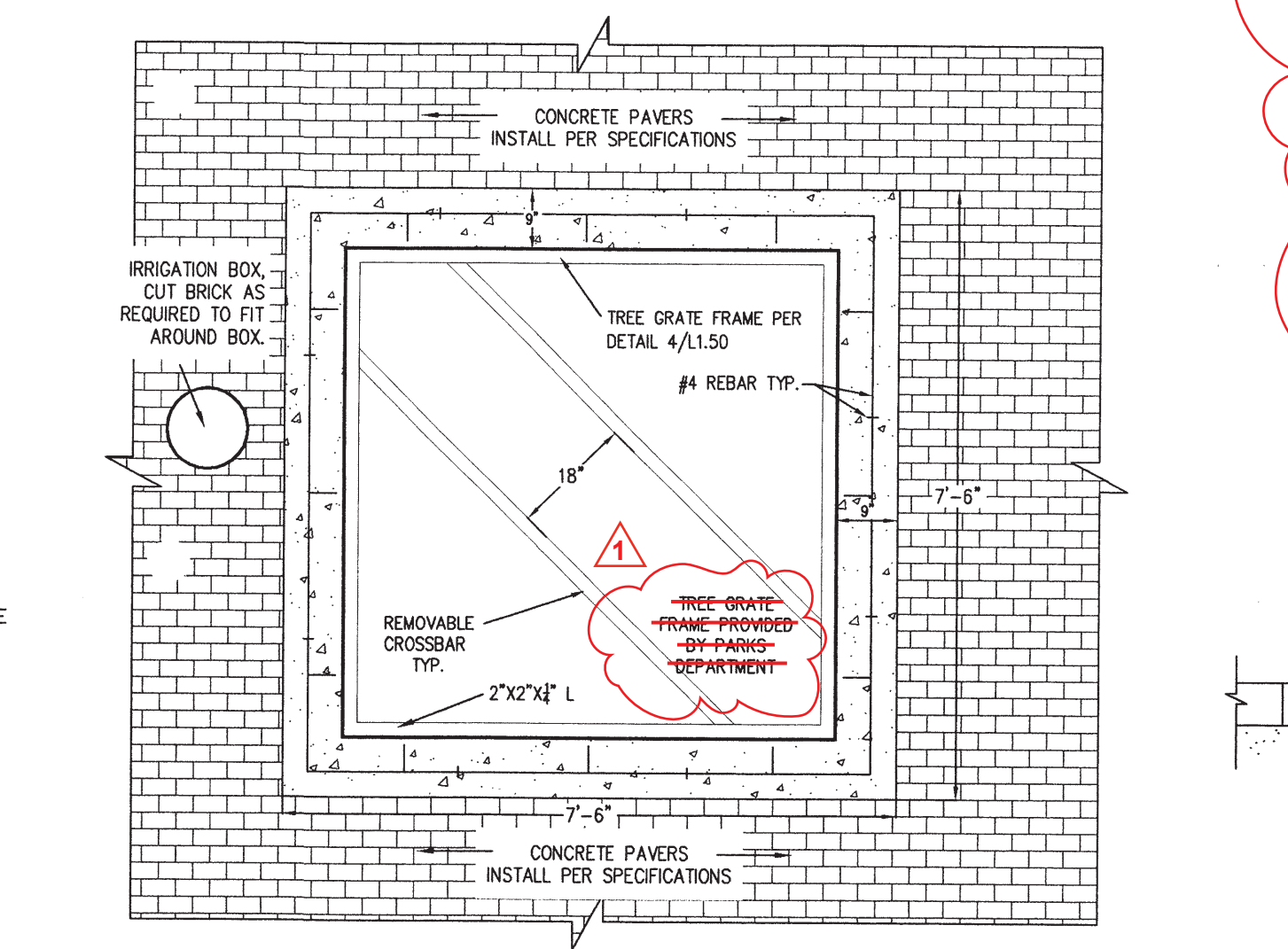
1.4 EXTRA MATERIALS
 A. Provide 20% of each paver.
1.5 QUALITY ASSURANCE
 A. Paving Installer Qualifications:
 1. Utilize an installer having successfully completed Concrete paver installation similar in design, material and extent indicated on this project.
 2. Utilize an installer holding a current certificate from the Interlocking Concrete Pavement Institute Concrete Paver Installer Certification program.
 B. Regulatory Requirements and Approvals: (Specify applicable licensing, bonding or other requirements of regulatory agencies).
 C. Mock-ups:
 1. Install a 0 ft x 0 ft x 0 ft paver area.
 2. Use this area to determine surface of the bedding sand layer, joint sizes, lines, laying pattern(s), color(s) and texture of the job.
 3. This area will be used as the standard by which the work will be judged.
 4. Subject to acceptance by owner, mock-up may be retained as part of finished work.
 5. If mock-up is not retained, remove and properly dispose of mock-up.
 D. Source Limitations: Obtain each type of unit paver, joint material, and setting material from one source with resources to provide materials and products of consistent quality in appearance and physical properties.
1.6 DELIVERY, STORAGE, AND HANDLING.
 A. Comply with manufacturer's ordering instructions and lead-time requirements to avoid construction delays.
 B. Delivery: Deliver materials in manufacturer's original, unopened, undamaged containers packaging with identification labels intact.



1 Tree Grate and Frame Plan - Option 'A'
 Scale: 1/2" = 1'-0"

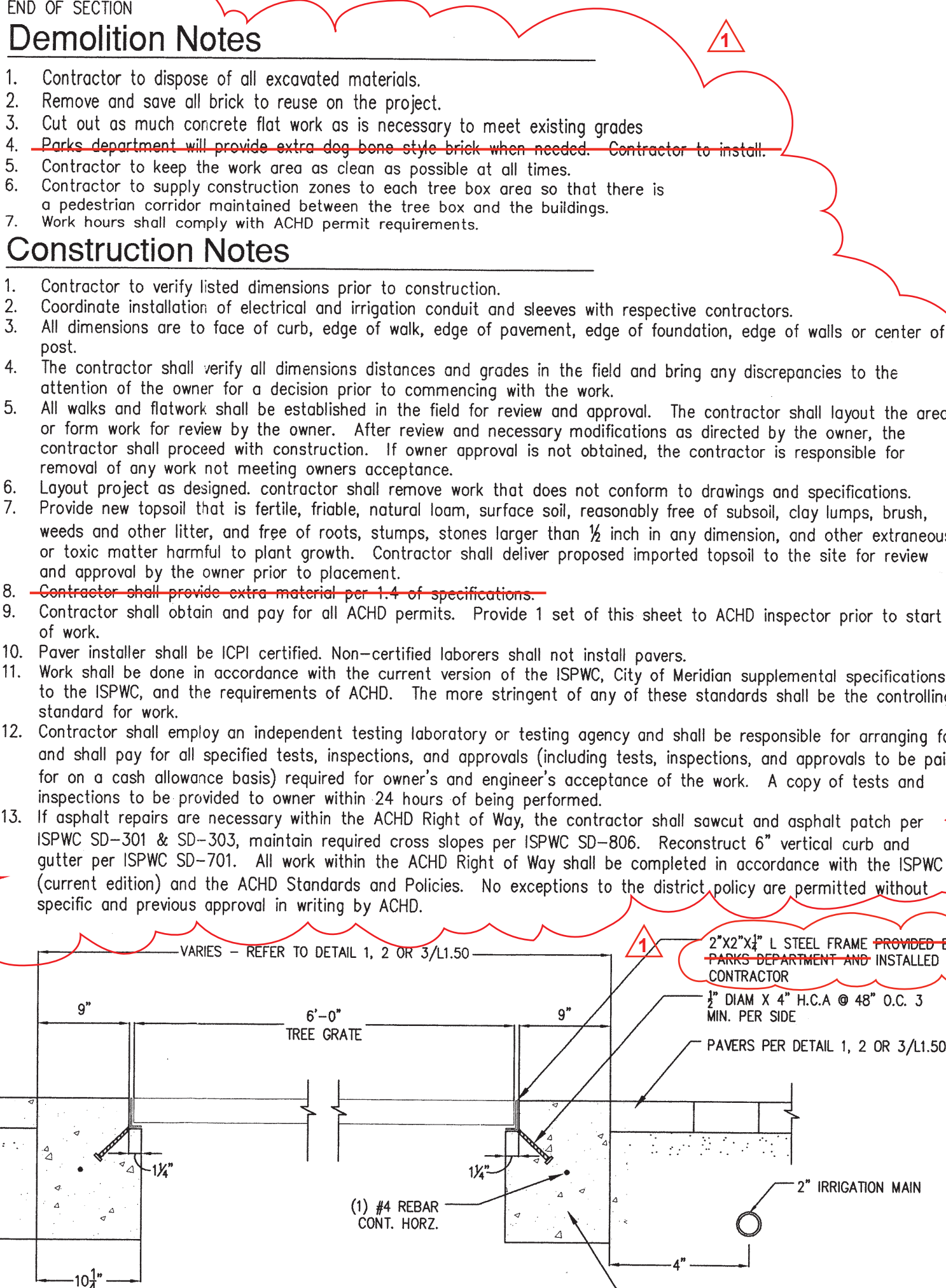


2 Tree Grate and Frame Plan - Option 'B'
 Scale: 1/2" = 1'-0"

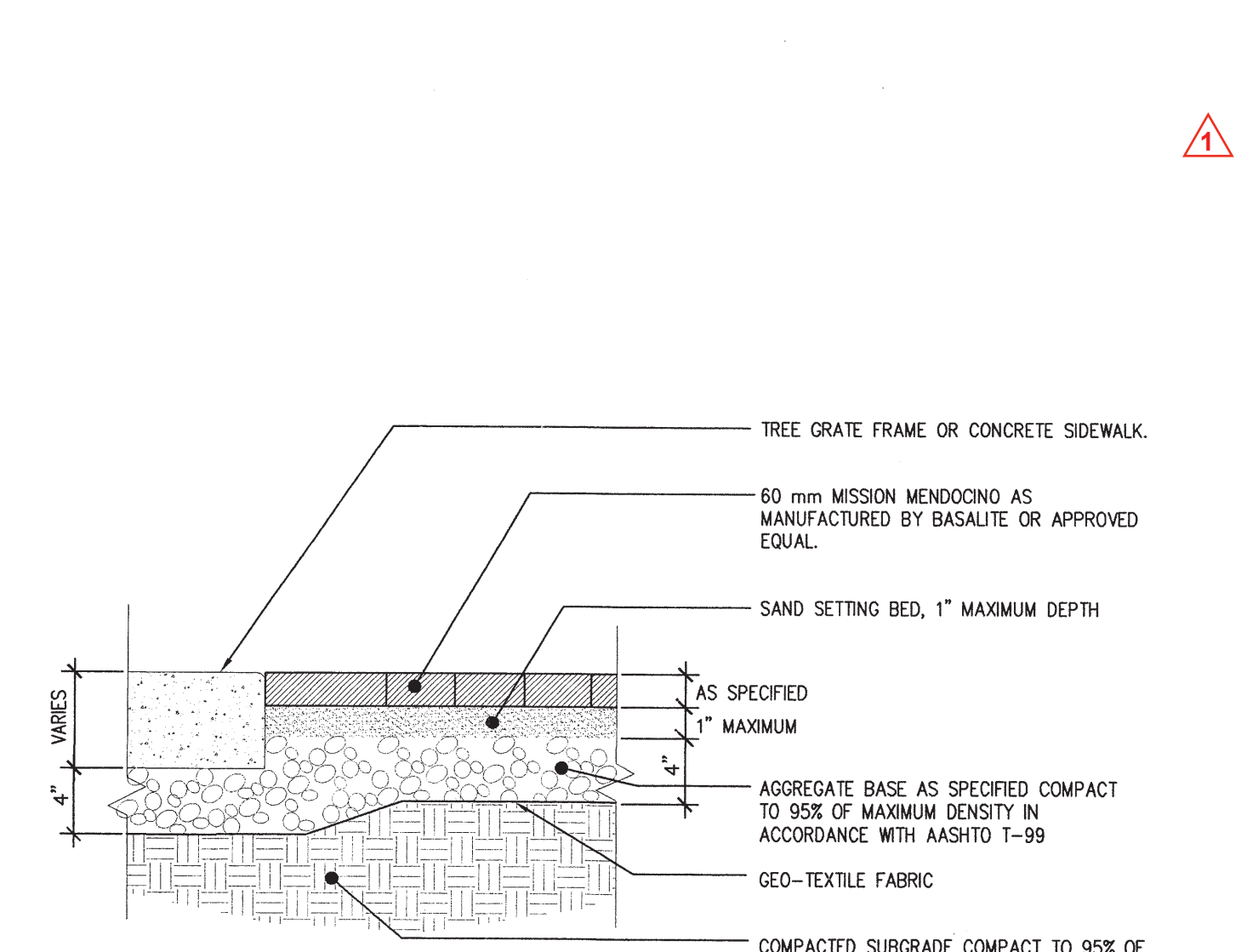


3 Tree Grate and Frame Plan - Option 'C'
 Scale: 1/2" = 1'-0"

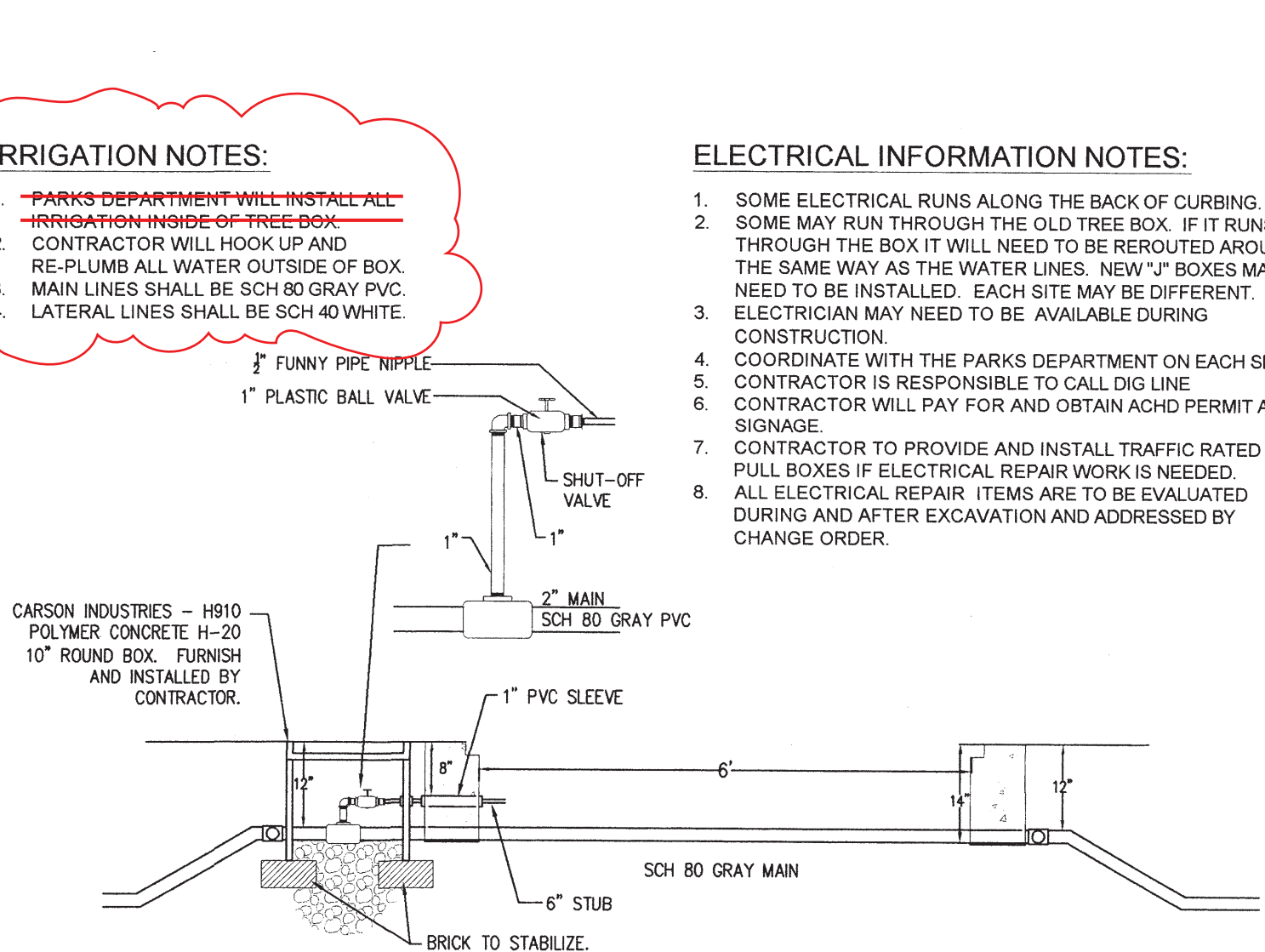
END OF SECTION
Demolition Notes
 1. Contractor to dispose of all excavated materials.
 2. Remove and save all brick to reuse on the project.
 3. Cut out as much concrete flat work as is necessary to meet existing grades
 4. Parks Department will provide extra dog bone style brick when needed. Contractor to install.
 5. Contractor to keep the work area as clean as possible at all times.
 6. Contractor to supply construction zones to each tree box area so that there is a pedestrian corridor maintained between the tree box and the buildings.
 7. Work hours shall comply with ACHD permit requirements.
Construction Notes
 1. Contractor to verify listed dimensions prior to construction.
 2. Coordinate installation of electrical and irrigation conduit and sleeves with respective contractors.
 3. All dimensions are to face of curb, edge of paving, edge of foundation, edge of walls or center of post.
 4. The contractor shall verify all dimensions distances and grades in the field and bring any discrepancies to the attention of the owner for a decision prior to commencing with the work.
 5. All walks and flatwork shall be established in the field for review and approval. The contractor shall layout the area or form work for review by the owner. After review and necessary modifications as directed by the owner, the contractor shall proceed with construction. If owner approval is not obtained, the contractor is responsible for removal of any work not meeting owner's acceptance.
 6. Contractor shall remove work that does not conform to drawings and specifications.
 7. Provide new topsoil that is fertile, friable, natural, surface soil, reasonably free of silt, clay lumps, brush, weeds and other litter, and free of roots, stumps, stones larger than 1/2 inch in any dimension, and other extraneous or toxic matter harmful to plant growth. Contractor shall deliver proposed imported topsoil to the site for review and approval by the owner prior to placement.
 8. Contractor shall provide extra material per 1.4 of specifications.
 9. Contractor shall obtain and pay for all ACHD permits. Provide 1 set of this sheet to ACHD inspector prior to start of work.
 10. Paver installer shall be ICPI certified. Non-certified laborers shall not install pavers.
 11. Work shall be done in accordance with the current version of the ISPCW, City of Meridian supplemental specifications to the ISPCW, and the requirements of ACHD. The more stringent of any of these standards shall be the controlling standard for work.
 12. Contractor shall employ an independent testing laboratory or testing agency and shall be responsible for arranging for and shall pay for all specified tests, inspections, and approvals (including tests, inspections, and approvals to be paid for on a cash allowance basis) required for owner's and engineer's acceptance of the work. A copy of tests and inspections to be provided to owner within 24 hours of being performed.
 13. If asphalt repairs are necessary within the ACHD Right of Way, the contractor shall sawcut and asphalt patch per ISPCW SD-301 & SD-303, maintain required cross slopes per ISPCW SD-806. Reconstruct 6" vertical curb and gutter per ISPCW SD-701. All work within the ACHD Right of Way shall be completed in accordance with the ISPCW (current edition) and the ACHD Standards and Policies. No exceptions to the district policy are permitted without specific and previous approval in writing by ACHD.



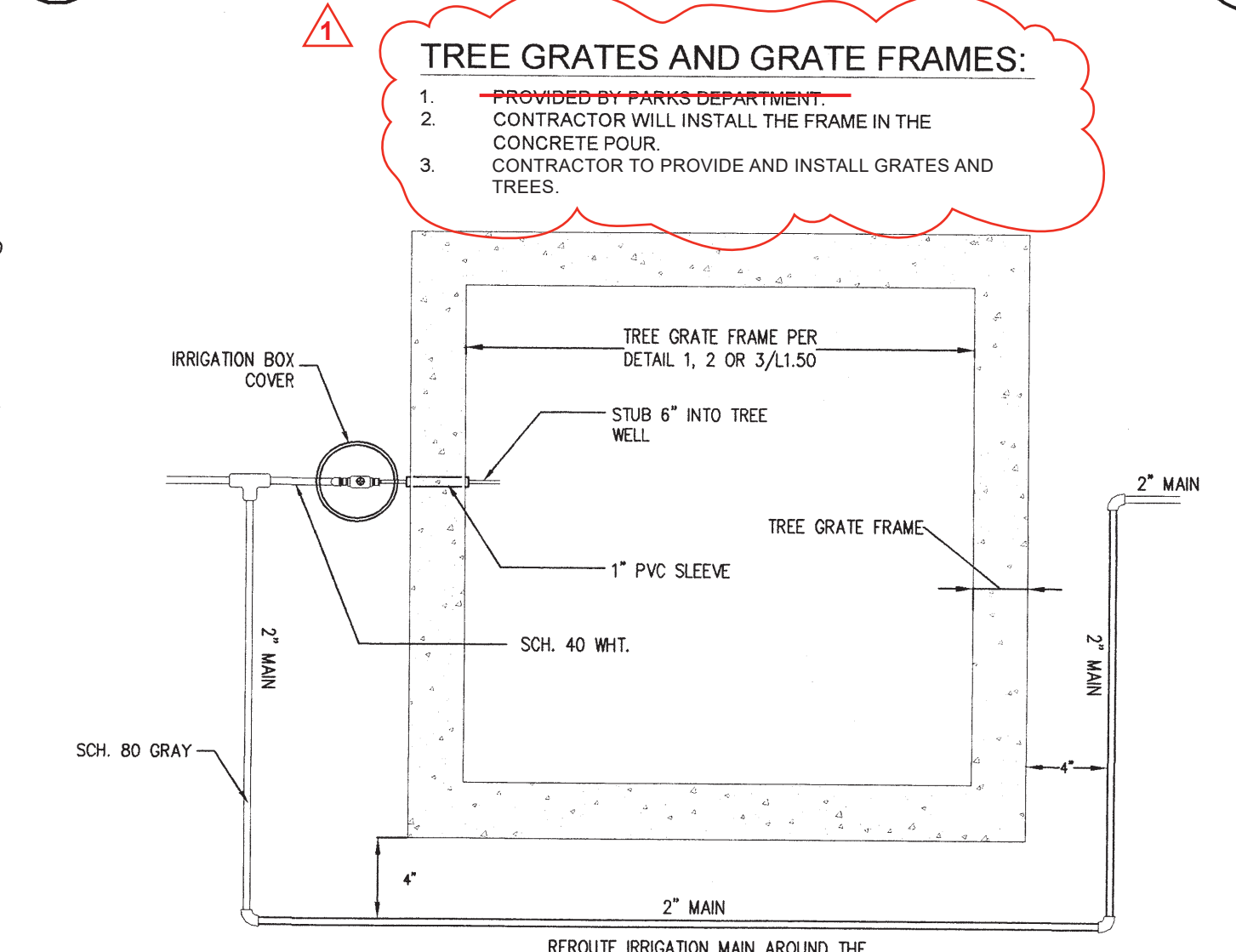
4 Tree Grate Frame
 Scale: 3/4" = 1'-0"



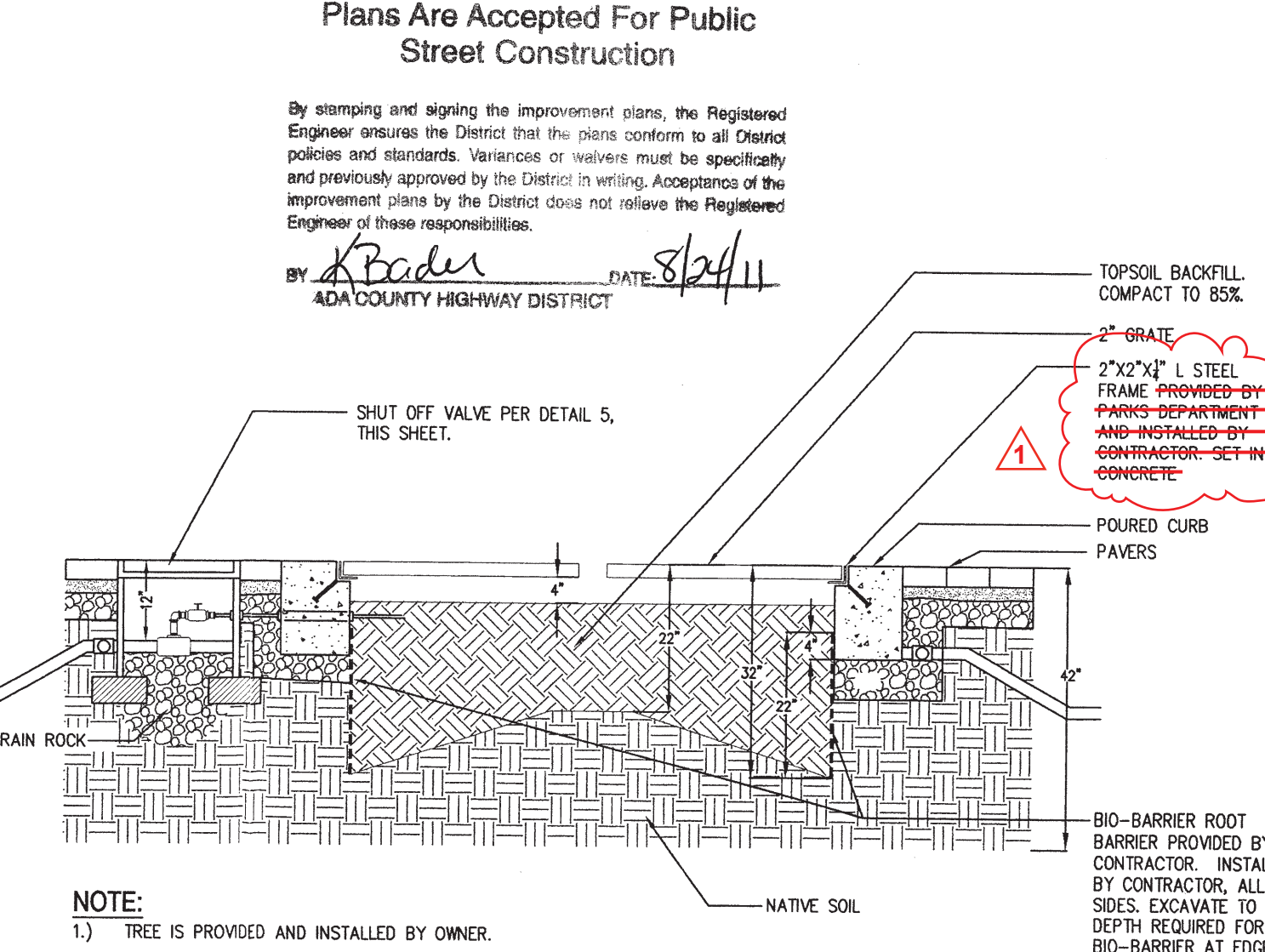
5 Concrete Unit Pavers
 Not to Scale



6 Tree Well Irrigation Section
 Scale: 1/2" = 1'-0"



7 Tree Well Irrigation Plan
 Scale: 1/2" = 1'-0"



8 Tree Grate and Frame Section
 Scale: 1/2" = 1'-0"

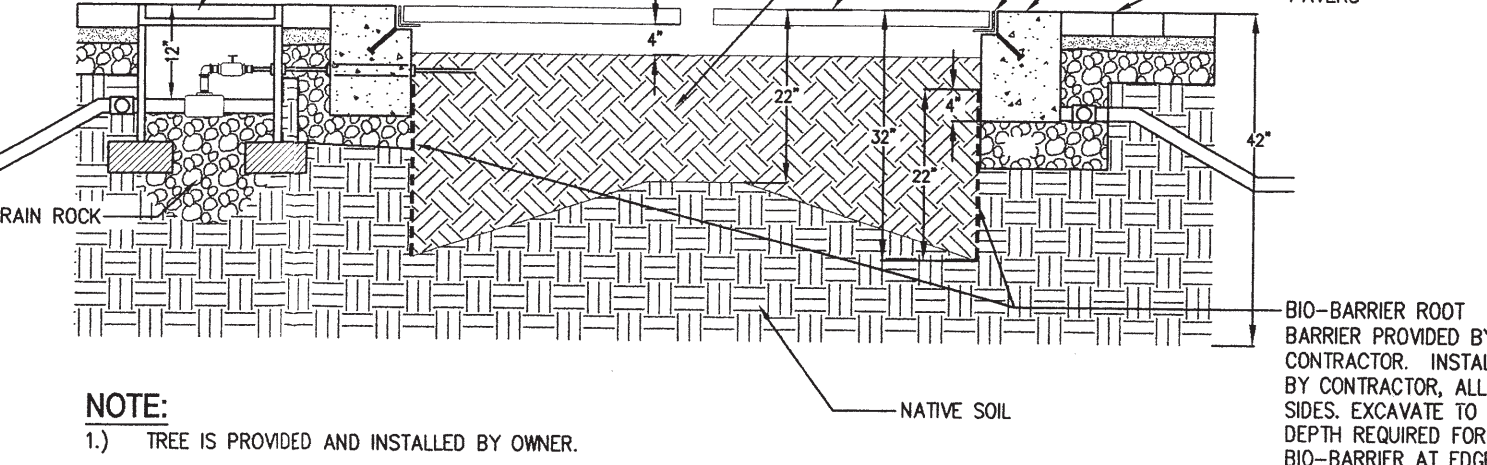
TREE GRATES AND GRATE FRAMES:
 1. PROVIDED BY PARKS DEPARTMENT.
 2. CONTRACTOR WILL INSTALL THE FRAME IN THE CONCRETE POUR.
 3. CONTRACTOR TO PROVIDE AND INSTALL GRATES AND TREES.

IRRIGATION NOTES:
 1. PARKS DEPARTMENT WILL INSTALL ALL IRRIGATION INSIDE OF TREE BOX.
 2. CONTRACTOR WILL HOOK UP AND RE-PLUMB ALL WATER OUTSIDE OF BOX.
 3. MAIN LINES SHALL BE SCH 80 GRAY PVC.
 4. LATERAL LINES SHALL BE SCH 40 WHITE.
 5. FUNNY PIPE NIPPLE
 6. 1" PLASTIC BALL VALVE
 7. SHUT-OFF VALVE
 8. 2" MAIN
 9. SCH 80 GRAY PVC
 10. 1" PVC SLEEVE
 11. 6" STUB
 12. SCH 80 GRAY MAIN
 13. BRICK TO STABILIZE.

ELECTRICAL INFORMATION NOTES:
 1. SOME ELECTRICAL RUNS ALONG THE BACK OF CURBING.
 2. SOME MAY RUN THROUGH THE OLD TREE BOX. IF IT RUNS THROUGH THE BOX IT WILL NEED TO BE ROUTED AROUND THE SAME WAY AS THE WATER LINES. NEW 'J' BOXES MAY NEED TO BE INSTALLED. EACH SITE MAY BE DIFFERENT.
 3. ELECTRICIAN MAY NEED TO BE AVAILABLE DURING CONSTRUCTION.
 4. COORDINATE WITH THE PARKS DEPARTMENT ON EACH SITE.
 5. CONTRACTOR IS RESPONSIBLE TO CALL DIG LINE.
 6. CONTRACTOR WILL PAY FOR AND OBTAIN ACHD PERMIT AND SIGNAGE.
 7. CONTRACTOR TO PROVIDE AND INSTALL TRAFFIC RATED PULL BOXES IF ELECTRICAL REPAIR WORK IS NEEDED.
 8. ALL ELECTRICAL REPAIR ITEMS ARE TO BE EVALUATED DURING AND AFTER EXCAVATION AND ADDRESSED BY CHANGE ORDER.

Plans Are Accepted For Public Street Construction

By stamping and signing the improvement plans, the Registered Engineer ensures the District that the plans conform to all District policies and standards. Variance of values must be specifically and previously approved by the District in writing. Acceptance of the improvement plans by the District does not relieve the Registered Engineer of these responsibilities.
 BY: [Signature] DATE: 8/24/11
 ADA COUNTY HIGHWAY DISTRICT



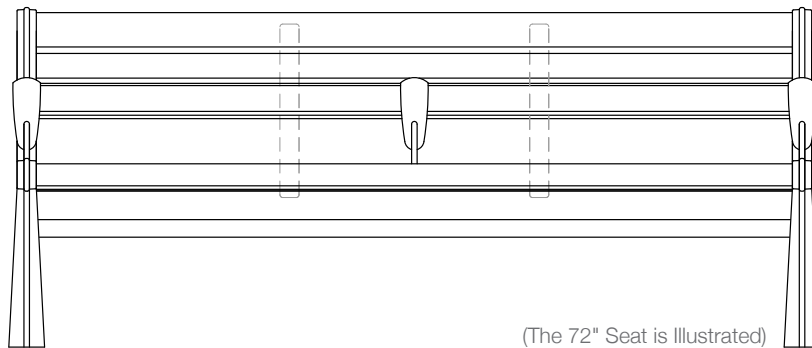
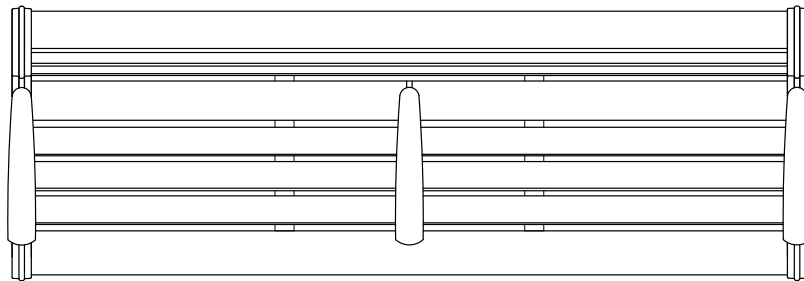
8 Tree Grate and Frame Section
 Scale: 1/2" = 1'-0"

No.	Date	Description
1	10/24/24	TEXT REVISIONS

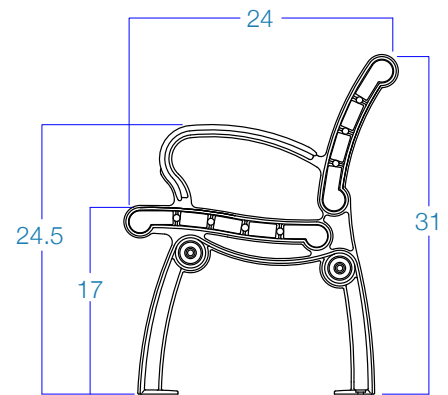
This document and the information contained herein may not be copied or reproduced without express written permission of The Land Group, Inc.
 (Unauthorized disclosure or construction use are prohibited by copyright law.)
Meridian Parks Department
Existing Tree Wells Renovation
 Meridian, Idaho

Project Name: Meridian Parks Department Existing Tree Wells Renovation
 Sheet Title: Tree Grate and Frame Section
THE LAND GROUP
 Landscape Architecture
 Civil Engineering
 Site Planning
 Golf Course Irrigation & Engineering
 Graphic Communication
 Land Surveying
 462 East Shore Drive, Suite 100
 Eagle, Idaho 83616
 Phone 208.339.4041
 Fax 208.339.4445
 www.thelandgroupinc.com
 Project No: 109022
 Date of Issuance: 6.22.11
 Designed by: MTA
 Drawn by: JMC
 Checked by: MTA
 Sheet No: L1.50

VictoriaSeries | Seat



(The 72" Seat is Illustrated)

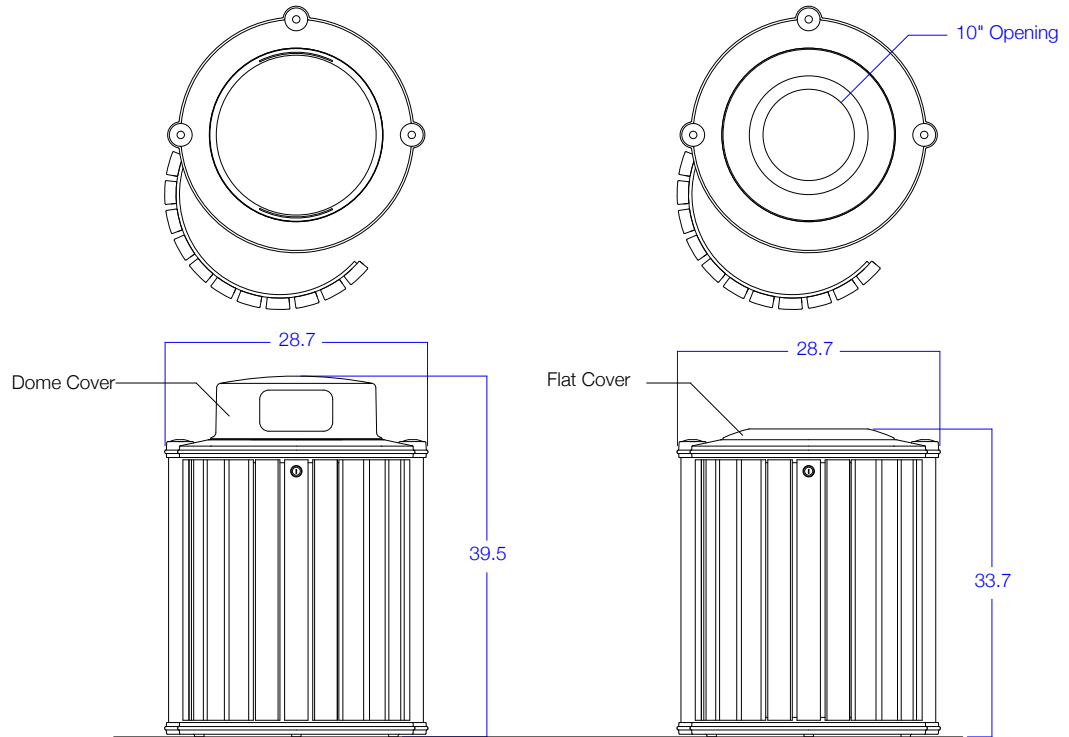


Specification Options *Asterisk categories must be selected

- | | |
|----------------------------------------------------|---------------------------------------------------------------------------------------|
| * Powder Coat Colors | |
| <input checked="" type="checkbox"/> Standard Gloss | <input type="checkbox"/> Brown |
| <input type="checkbox"/> Standard Matte | <input type="checkbox"/> Green |
| <input type="checkbox"/> Custom Color | <input type="checkbox"/> Charcoal |
| | <input checked="" type="checkbox"/> Black |
| | <input type="checkbox"/> Red |
| * HDPE Colors | |
| <input type="checkbox"/> Custom | <input type="checkbox"/> Gray |
| | <input type="checkbox"/> Cedar |
| | <input checked="" type="checkbox"/> Weathered |
| * Length Options | |
| <input type="checkbox"/> Custom (Max. 96" Span) | <input type="checkbox"/> 48" - VIC.SE.048 |
| <input type="checkbox"/> Link Kit -96,120,144,192 | <input type="checkbox"/> 60" - VIC.SE.060 (1 CA) |
| | <input checked="" type="checkbox"/> 72" - VIC.SE.072 (1 CA) |
| | <input type="checkbox"/> 96" - VIC.SE.096 (2 CA) |
| Center Arm Kit | <input type="checkbox"/> 9880 - <input type="checkbox"/> 1 <input type="checkbox"/> 2 |
| Seat Link Kit | <input type="checkbox"/> Seat Link Kit |
| Surface Mount Hardware | <input type="checkbox"/> 9300-004-INST |

March 2012 v12.3 Fahnstrom/White Design

VictoriaSeries | 32G Recycle Bin



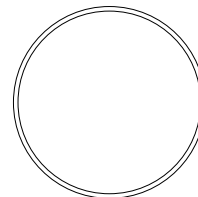
Specification Options *Asterisk categories must be selected

- * **Powder Coat Colors**
 - Standard Gloss
 - Standard Matte
 - Custom /Specify
 - Brown
 - Green
 - Charcoal
 - Black
 - Red

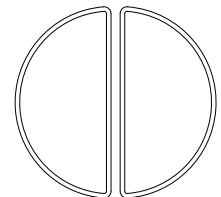
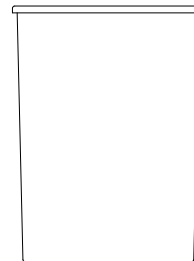
- * **HDPE Colors**
 - Custom/Specify
 - Gray
 - Cedar
 - Weathered

- * **Cover Options**
The 9932 Liner and Magnetic Latch are Included Features
 - VIC.WR.032.DOM.SM
 - VIC.WR.032.FLA.SM
 - VIC.WR.032.DOM.COMBO.SM

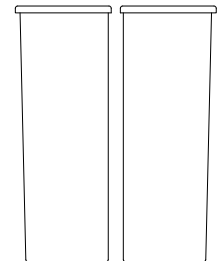
- Additional Liner 9932 32G Plastic Liner
- Additional Combo Liner 99XX 2X2 Plastic Liner
- Surface Installation 9300-004-INST
- Key Lock Option VIC.WR.KEY.LOC
- Dome Opening Spring Door VIC.WR.OPG.DOR
- Dome Opening Flap VIC.WR.OPG.FLP



9932 32G Liner



99xx 2X 16G Liner



The combo "half cylinder" liner enables sorting of waste types. The top cover will have partitioned openings.

CONCRETE SITE FURNISHINGS

TRASH RECEPTACLES & PLANTERS

PRODUCT ADVANTAGES

- Full fiber or rebar caging for superior strength and durability in concrete containers
- Many include a polyethylene liner that simplifies trash removal and cleanup
- Choose from our palette of captivating colors or customize your own



Concrete Trash Receptacle 20"x20"x43" with Push-Door Plastic Top TF1015 \$520



With steel access door in rear. 45 gal. liner included. Size: 24" x 26" x 52" Color Options: "E" or "W" TF1029 \$1,110



Concrete Trash Receptacle with Drive Thru Plastic Top TF1021 \$571



Concrete Trash 24" Dia x 44" 31 gal. liner included. Color Options: "E" or "W" TF1100 \$621



Concrete Trash Receptacle with Push-Door Plastic Top TF1170 \$701



Optional built in snuffer. Size: 20" sq. x 43" H Color Options: "E" or "W" * OPTIONAL SNUFFER TF2094 \$51 * OPTIONAL LINER TF1610 TF1016 \$504



Concrete Gridded Wall Trash Receptacle with Aluminum Top WS101 \$1,685



Concrete Trash Receptacle with Aluminum Ash-n-Trash Top TF1086 \$680



Concrete Boca Raton Trash Receptacle with Aluminum top WS1041 \$715



Concrete Prairie Trash Receptacle with Aluminum Lid SL102 \$579



Concrete Trash Receptacle with Aluminum Top TF1045 \$1,479



PROW PLANTER 30" dia. x 24" H WS124 \$1,088



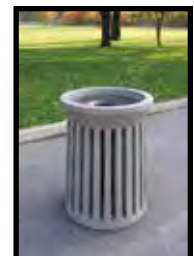
Concrete Planter with Seat 36" x 36" x 18" WS118 \$1,146



Concrete Trash Receptacle with Pitch-In Plastic Top TF1025 \$548



Concrete Trash Receptacle with Aluminum Top TF1082 \$755



Concrete Ribbed Trash 30" dia. x 42" Color Option: "W" SL100 \$1,271



ROUND PLANTER Size: 48" x 36" TF4124 \$954



Senora Concrete Planter TF4045 \$395



Spherical Concrete Planter WS111 \$1,079



Round Concrete Planter TF4007 \$1,0660



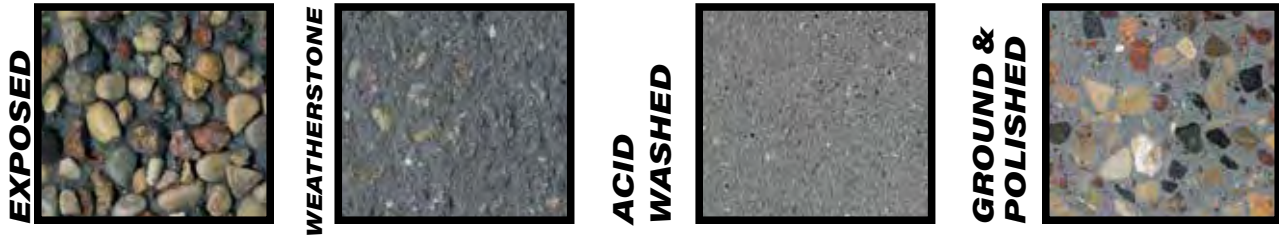
Colonial Square Concrete Planter TF4184 \$401



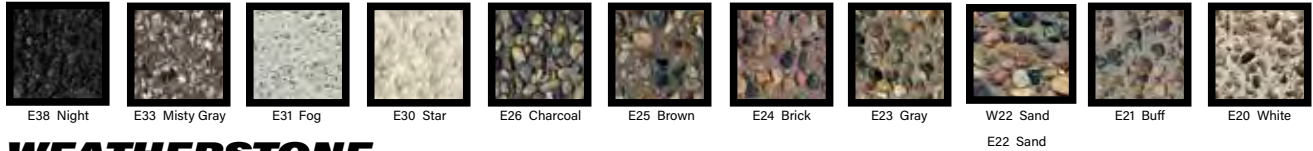
Concrete Planter Size: 24" dia. x 17" H Color Options: "E" or "W" TF4075 \$474

COLORS AND FINISHES

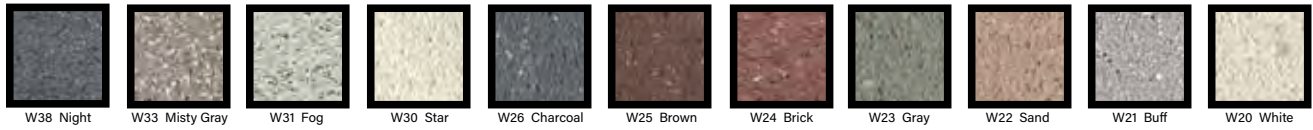
CONCRETE SITE FURNISHINGS



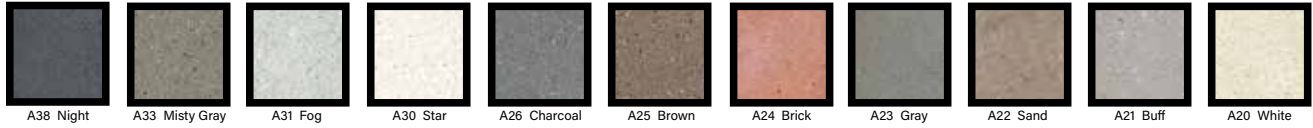
EXPOSED



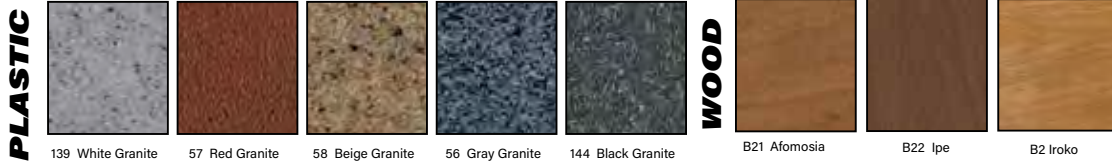
WEATHERSTONE



ACID WASHED



GROUND & POLISHED



Stone Color Options & Finishes

FOUNTAINS

Primarily found on pages 62-63



Colorama,
Light Etched



Colorama,
Medium Etched



Quiet Creek,
Light Etched



Quiet Creek,
Medium Etched



WAVE BIKE RACKS



1-LOOP



3-LOOP



5-LOOP

Upscale stylish look. Easy to secure your bike.

- 10-gauge galvanized steel or attractive powder coating.
- 2 3/8" diameter bar.
- Mounting hardware included.
- For stadiums, parks and athletic fields.

WAVE BIKE RACKS

Galvanized Black Green

MODEL NO.	DESCRIPTION	SIZE L x W x H	BIKE CAPACITY	WT. (LBS.)	PRICE EACH		ADD TO CART
					1	3+	
H-2892*	1-Loop	22 x 2 1/2 x 34"	3	27	\$230	\$220	Specify Color
■ H-2543	3-Loop	43 x 2 1/2 x 39"	5	56	395	375	Specify Color
■ H-2544	5-Loop	68 x 2 1/2 x 39"	7	80	515	495	Specify Color

* Galvanized and Black only

■ SHIPS VIA MOTOR FREIGHT